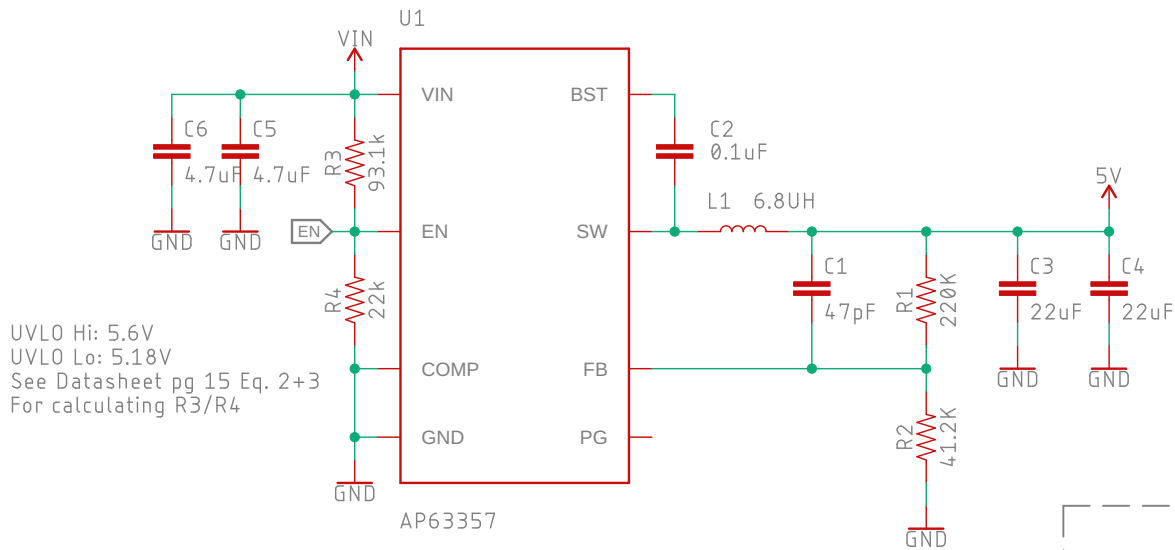


5V Switching Buck Regulator – AP63357



UVLO Hi: 5.6V
 UVLO Lo: 5.18V
 See Datasheet pg 15 Eq. 2+3
 For calculating R3/R4

Input Range: 6V to 32V
 Output Current: 3.5A MAX

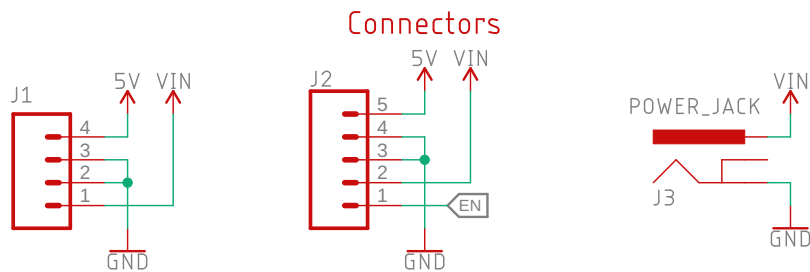
Power LED



Cut trace to disconnect LED.

sparkfun

open hardware



Released under the Creative Commons

Attribution Share-Alike 4.0 License

<https://creativecommons.org/licenses/by-sa/4.0/>



TITLE: SparkFun_Buck_Regulator_AP63357DV-7_Buck5V

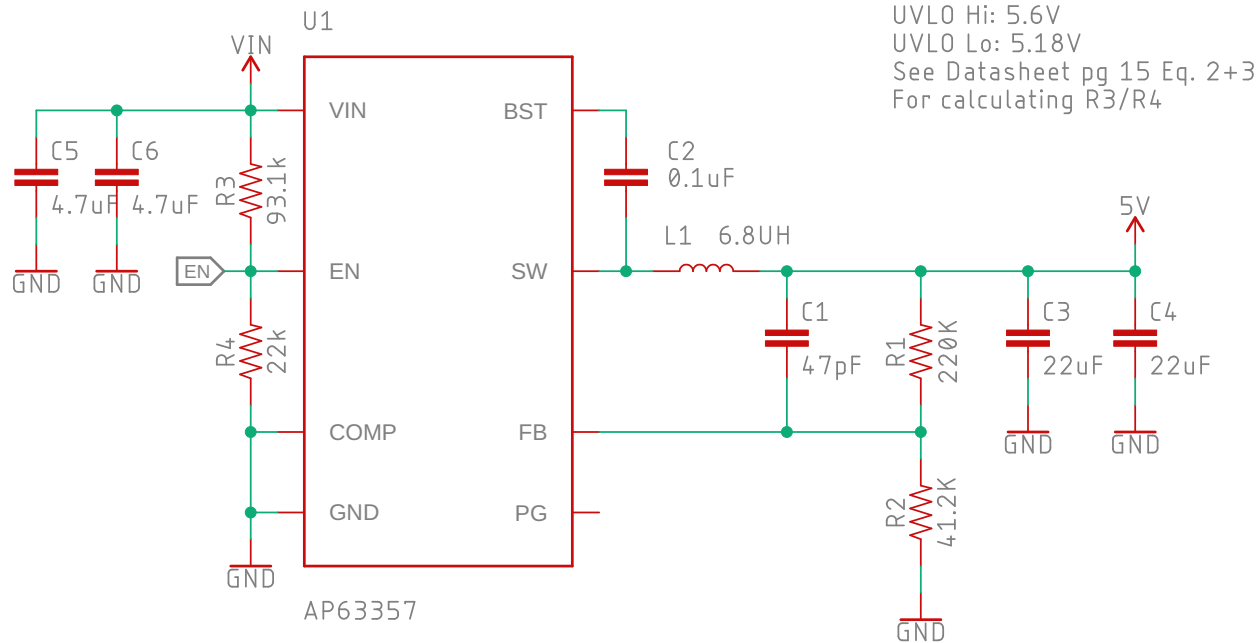
Design by: Alex Brudner

REV:
v10

Date: 1/5/2023 8:40 AM

Sheet: 1/1

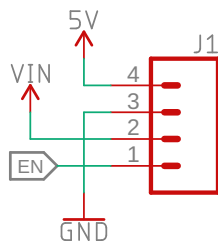
5V Switching Buck Regulator – AP63357



Input Range: 6V to 32V
 Output Current: 3.5A MAX



Connector



Released under the Creative Commons Attribution Share-Alike 4.0 License
<https://creativecommons.org/licenses/by-sa/4.0/>



TITLE: SparkFun_Buck_Regulator_AP63357DV-7_BabyBuck5V

Design by: Alex Brudner

REV:
v10

Date: 1/5/2023 8:40 AM

Sheet: 1/1